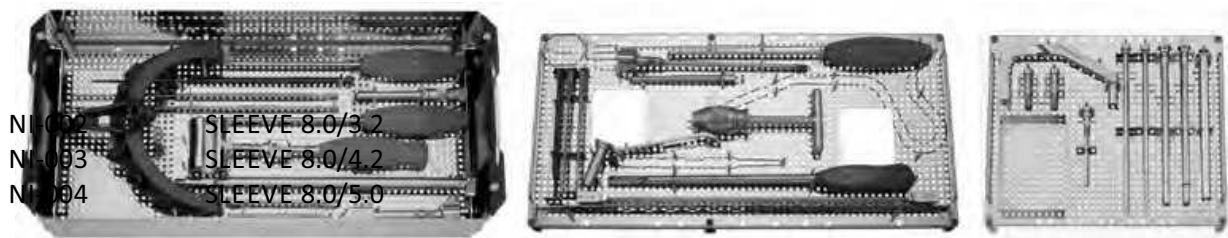


MEDULLARY NAILING

TIBIAL

NI-001 PROTECTION SLEEVE 12.0/8.0 LENGTH 188 MM



NI-005

TROCAR 3.2MMØ

NI-006

TROCAR 4.2MMØ

NI-007

TROCAR 5.0MMØ

NI-008

SCREW DRIVER 330 MM LENGTH



NI-009 HOLDING SLEEVE WITH LOCKING DEVIVE



QUICK COUPLING REAMER FOR NEAR CORTEX 145 MM LENGTH.

NI-010



NI-011 HAND REMER



NI-012 REAMER FOR NEAR CORTEX LENGTH 145MM



NI-013 HAMMER 100G



PAKISTAN

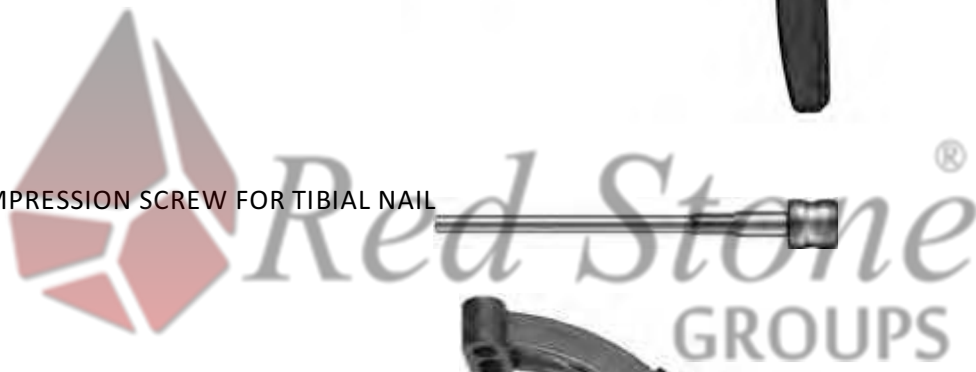
NI-014 AIMING ARM FOR TIBIAL NAIL



NI-015 INSERTION HANDLE FOR TIBIAL NAIL



NI-016 COMPRESSION SCREW FOR TIBIAL NAIL



NI-017 AIMING ARM FOR TIBIAL NAIL



NI-018 DRILL BIT 12MMØ 190MM LENGTH

PAKISTAN



NI-019

CANNULATED CONNECTING SCREW



NI-020

INSERTION HANDLE



NI-021

CONNECTOR FOR INSERTION HANDLE



NI-022

COMBINED HAMMER 700G



NI-023

DRILLBIT 3.2MM Ø 340MM LENGTH



PAKISTAN

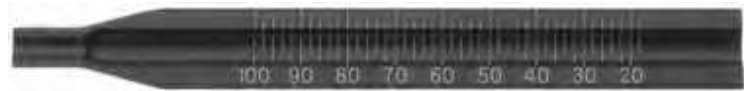
NI-024 DRILL BIT 4.2MM Ø 340MM LENGTH



NI-025 HEXAGONAL SCREW DRIVER WITH SPECIAL HEAD



NI-026 ROD PUSHER FOR REAMING ROD WITH REMOVAL Ø 8MM



NI-027 DIRECT MEASURING DEVICE



NI-028 PROTECTION SLEEVE

PAKISTAN

NI-029 SCREW FORCEPS



NI-030 COMBINATION WRENCH



NI-031 PIN WRENCH



NI-032 HAMMER GUIDE



NI-033 HAMMER GUIDE



NI-034 HEXAGONAL CANNULATED SHAFT Ø 8MM LENGTH 12



NI-035 UNIVERSAL CHUCK



PAKISTAN

NI-036

AWL



NI-037

HAND REAMER 8.0MM ϕ

NI-038

HAND REAMER 9.0MM ϕ

NI-039

HAND REAMER 10.0MM ϕ



IMPLANTS

INTERLOCKING CANNULATED TIBIAL NAILS TITANIUM



LENGTH	8MMØ	9MM Ø	10MMØ	11MMØ	12MMØ	13MMØ
255	TIL-001	TIL-002	TIL-003	TIL-004	TIL-005	
270	TIL-007	TIL-008	TIL-009	TIL-010	TIL-011	
285	TIL-013	TIL-014	TIL-015	TIL-016	TIL-017	
300	TIL-019	TIL-020	TIL-021	TIL-022	TIL-023	
315	TIL-025	TIL-026	TIL-027	TIL-028	TIL-029	
330	TIL-031	TIL-032	TIL-033	TIL-034	TIL-035	
345	TIL-037	TIL-038	TIL-039	TIL-040	TIL-041	
360	TIL-043	TIL-044	TIL-045	TIL-046	TIL-047	
375	TIL-049	TIL-050	TIL-051	TIL-052	TIL-053	
390	TIL-055	TIL-056	TIL-057	TIL-058	TIL-059	
405	TIL-061	TIL-062	TIL-063	TIL-064	TIL-065	
420	TIL-067	TIL-068	TIL-069	TIL-070	TIL-071	
435	TIL-073	TIL-074	TIL-075	TIL-076	TIL-077	
450	TIL-079	TIL-080	TIL-081	TIL-082	TIL-083	
465	TIL-085	TIL-086	TIL-087	TIL-088	TIL-089	

INTERLOCKING SOLID TIBIAL NAILS TITANIUM



LENGTH	8MMØ	9MM Ø	10MMØ
255	TIL-091	TIL-092	TIL-093
270	TIL-094	TIL-095	TIL-096
285	TIL-097	TIL-098	TIL-099
300	TIL-100	TIL-101	TIL-102
315	TIL-103	TIL-104	TIL-105
330	TIL-106	TIL-107	TIL-108
345	TIL-109	TIL-110	TIL-111
360	TIL-112	TIL-113	TIL-114
375	TIL-115	TIL-116	TIL-117
390	TIL-118	TIL-119	TIL-120
405	TIL-121	TIL-122	TIL-123
420	TIL-124	TIL-125	TIL-126
435	TIL-127	TIL-128	TIL-129
450	TIL-130	TIL-131	TIL-132
465	TIL-133	TIL-134	TIL-135

INTERLOCKING CANNULATED TIBIAL NAILS TITANIUM WITH PROXIMAL BEND



LENGTH	8MMØ	9MM Ø	10MMØ	11MMØ	12MMØ	13MMØ
255	TIL-001A	TIL-002B	TIL-003C 5E	TIL-004D 06F	TIL-00	
270	TIL-007A	TIL-008B	TIL-009C 1E	TIL-010D 12F	TIL-01	

285	TIL-013A	TIL-014B	TIL-015C	7E	TIL- 016D 18F	TIL-01
300	TIL-019A	TIL-020B	TIL-021C	3E	TIL- 022D 24F	TIL-02
315	TIL-025A	TIL-026B	TIL-027C	9E	TIL- 028D 30F	TIL-02
330	TIL-031A	TIL-032B	TIL-033C	5E	TIL- 034D 36F	TIL-03
345	TIL-037A	TIL-038B	TIL-039C	1E	TIL- 040D 42F	TIL-04
360	TIL-043A	TIL-044B	TIL-045C	7E	TIL- 046D 48F	TIL-04
375	TIL-049A	TIL-050B	TIL-051C	3E	TIL- 052D 54F	TIL-05
390	TIL-055A	TIL-056B	TIL-057C	9E	TIL- 058D 60F	TIL-05
405	TIL-061A	TIL-062B	TIL-063C	5E	TIL- 064D 66F	TIL-06
420	TIL-067A	TIL-068B	TIL-069C	1E	TIL- 070D 72F	TIL-07
435	TIL-073A	TIL-074B	TIL-075C	7E	TIL- 076D 78F	TIL-07
450	TIL-079A	TIL-080B	TIL-081C	3E	TIL- 082D 84F	TIL-08
465	TIL-085A	TIL-086B	TIL-087C	9E	TIL- 088D 90F	TIL-08

LOCKING SCREWS

LENGTH	4.0MM Ø	5.0MM Ø
18MM	ILS-001	
20MM	ILS-002	
22MM	ILS-003	
24MM	ILS-004	
26MM	ILS-005	ILS-101 28MM
	ILS-006	ILS-102 30MM
	ILS-007	ILS-103 32MM
	ILS-008	ILS-104 34MM
	ILS-009	ILS-105 36MM
	ILS-010	ILS-106 38MM
	ILS-011	ILS-107 40MM
	ILS-012	ILS-108 42MM
	ILS-013	ILS-109 44MM
	ILS-014	ILS-110 46MM
	ILS-015	ILS-111 48MM
	ILS-016	ILS-112 50MM
	ILS-017	ILS-113 52MM
	ILS-018	ILS-114 54MM
	ILS-019	ILS-115 56MM
	ILS-020	ILS-116 58MM
	ILS-021	ILS-117



PAKISTAN

60MM	ILS-022	ILS-118
62MM	ILS-023	ILS-119
64MM	ILS-024	ILS-120
66MM	ILS-025	ILS-121
68MM	ILS-026	ILS-122
70MM	ILS-027	ILS-123
72MM	ILS-028	ILS-124
74MM	ILS-029	ILS-125
76MM	ILS-030	ILS-126
78MM	ILS-031	ILS-127
80MM	ILS-032	ILS-128
85MM		ILS-129
90MM		ILS-130
95MM		ILS-131
100MM		ILS-132

CANCELLOUS BONE SCREW 5.0MMØ DUAL CORE SELF TAPPING

30MM	ILS-001A
35MM	ILS-002A
40MM	ILS-003A
45MM	ILS-004A
50MM	ILS-005A
55MM	ILS-006A
60MM	ILS-007A
65MM	ILS-008A
70MM	ILS-009A
75MM	ILS-010A
80MM	ILS-011A
85MM	ILS-012A
90MM	ILS-013A



TIBIAL NAIL END CAP 8.0MM TO 13.0MMØ

EXTENTION	CAT NO
0MM	ILC-001 5MM ILC-002 10MM ILC-003 15MM ILC-
004	

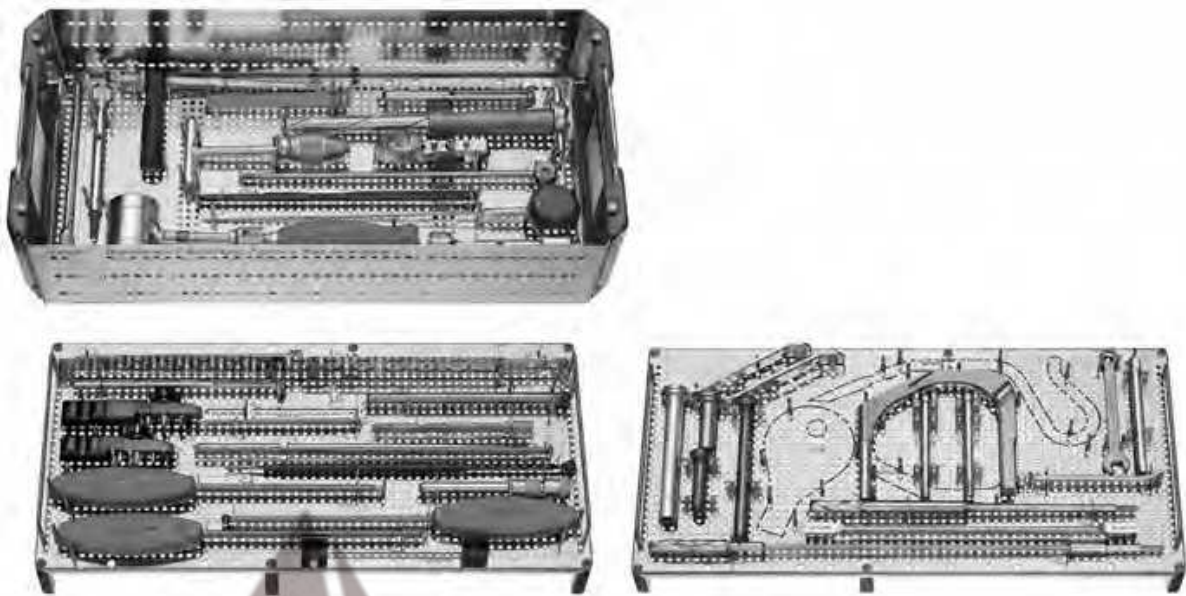


TIBIAL NAIL END CAP LONG SIZE 8.0MM TO 13.0MMØ

ILC-005



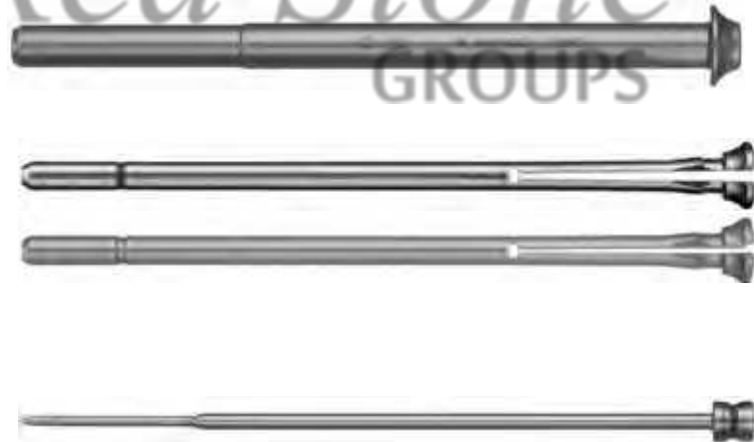
FEMORAL



FNI-001 PROTECTION SLEEVE 12.0/8.0 LENGTH 188 MM

FNI-002 SLEEVE 8.0/4.2
FNI-003 SLEEVE 8.0/5.0

NI-004 TROCAR 4.2MMØ
NI-005 TROCAR 5.0MMØ



PAKISTAN

FNI-006 SCREW DRIVER 330 MM LENGTH



FNI-007 HOLDING SLEEVE WITH LOCKING DEVICE



FNI-008 REAMER FOR NEAR CORTEX LENGTH 145MM



FNI-009 EXTRACTION SCREW



FNI-010 DRILL SLEEVE 13.0/3.2MM



FMI-011 CANNULATED FLEXIBLE DRILL BIT 13.2MM



FNI-012 INSERTION HANDLE FOR FAMORAL NAIL



FNI-013 CONNECTOR FOR INSERTION HANDLE



FNI-014 AIMING GUIDE FOR ANTIGRADE NAIL



FNI-015 AIMING GUIDE FOR RETROGRADE NAIL



FIN-016 AIMING GUIDE FOR ANTEGRADE, SPIRAL BORING



FIN-017 COMBINED HAMMER 700G



FIN-018 DEPTH GAUGE



FIN-019 PROTECTION SLEEVE 15.0/13.0 FPR SPIRAL BORING



FIN-020 DRILL SLEEVE 13.0/3.2



FIN-021 DEPTH GAUGE FOR SPIRAL BLADE



PAKISTAN

FIN-022 SPIRAL INSERTER FOR SPIRAL BLADE



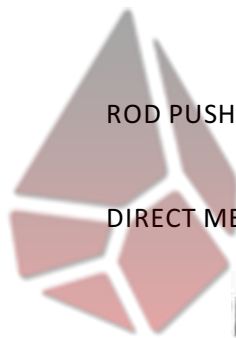
FIN-023 QUICK COUPLING DRILL BIT 4.2MM Ø 310MM LE



FIN-024 HEXAGONAL SCREW DRIVER WITH SPECIAL HEA



FIN-025 ROD PUSHER FOR REAMING ROD WITH HEXAGONAL ENDER Ø 8MM



FIN-026 DIRECT MEASURING DEVICE

FIN-027 PROTECTION SLEEVE



PAKISTAN

FIN-028 CANNULATED SCREW DRIVER WITH LEVER ARM



FIN-029 SCREW FORCEPS



FIN-030 COMBINATION WRENCH



FIN-031 PIN WRENCH



FIN-032 HAMMER GUIDE



FIN-033 HAMMER GUIDE



FIN-034 HEXAGONAL CANNULATED SHAFT Ø 8.5mm LENGTH 1



PAKISTAN

FIN-035 UNIVERSAL CHUCK



FIN-036 AWL



FIN-037 SPIRAL SCREW CONNECTING SCREW



FIN-038 CONNECTING SCREW FOR SPIRAL BLADE



FIN-039 EXTRACTION SCREW FOR SPIRAL BLADE



IMPLANTS

RETROGRADE FEMORAL NAILS



LENGTH	9MMØ	10MMØ	11MMØ	Ø	12MMØ	13MMØ	14MMØ	15MM
160MM	FIL-001	FIL-101	FIL-201		FIL-301	FIL-401	FIL-501	FIL-601
180MM	FIL-002	FIL-102	FIL-202		FIL-302	FIL-402	FIL-502	FIL-602
200MM	FIL-003	FIL-103	FIL-203		FIL-303	FIL-403	FIL-503	FIL-603
220MM	FIL-004	FIL-104	FIL-204		FIL-304	FIL-404	FIL-504	FIL-604
240MM	FIL-005	FIL-105	FIL-205		FIL-305	FIL-405	FIL-505	FIL-605
260MM	FIL-006	FIL-106	FIL-206		FIL-306	FIL-406	FIL-506	FIL-606
280MM	FIL-007	FIL-107	FIL-207		FIL-307	FIL-407	FIL-507	FIL-607
300MM	FIL-008	FIL-108	FIL-208		FIL-308	FIL-408	FIL-508	FIL-608
320MM	FIL-009	FIL-109	FIL-209		FIL-309	FIL-409	FIL-509	FIL-609
340MM	FIL-010	FIL-110	FIL-210		FIL-310	FIL-410	FIL-510	FIL-610
360MM	FIL-011	FIL-111	FIL-211		FIL-311	FIL-411	FIL-511	FIL-611
380MM	FIL-012	FIL-112	FIL-212		FIL-312	FIL-412	FIL-512	FIL-612
400MM	FIL-013	FIL-113	FIL-213		FIL-313	FIL-413	FIL-513	FIL-613
420MM	FIL-014	FIL-114	FIL-214		FIL-314	FIL-414	FIL-514	FIL-614
440MM	FIL-015	FIL-115	FIL-215		FIL-315	FIL-415	FIL-515	FIL-615
440MM	FIL-016	FIL-116	FIL-216		FIL-316	FIL-416	FIL-516	FIL-616
460MM	FIL-017	FIL-117	FIL-217		FIL-317	FIL-417	FIL-517	FIL-617
480MM	FIL-018	FIL-118	FIL-218		FIL-318	FIL-418	FIL-518	FIL-618

SPIRAL BLADE

40MM	FIL-001A
45MM	FIL-002A
50MM	FIL-003A
55MM	FIL-004A
60MM	FIL-005A
65MM	FIL-006A
70MM	FIL-007A
75MM	FIL-008A
80MM	FIL-009A
85MM	FIL-010A
90MM	FIL-011A
95MM	FIL-012A
100MM	FIL-013A



LOCKING SCREWS 5.0MM DIAMETER

LOCKING SCREWS 6.0MM DIAMETER

FIS-001	26MM	FIS-101 FIS-002
	28MM	FIS-102
FIS-003	30MM	FIS-103
FIS-004	32MM	FIS-104
FIS-005	34MM	FIS-105
FIS-006	36MM	FIS-106
FIS-007	38MM	FIS-107
FIS-008	40MM	FIS-108
FIS-009	42MM	FIS-109
FIS-010	44MM	FIS-110
FIS-011	46MM	FIS-111
FIS-012	48MM	FIS-112
FIS-013	50MM	FIS-113
FIS-014	52MM	FIS-114
FIS-015	54MM	FIS-115
FIS-016	56MM	FIS-116
FIS-017	58MM	FIS-117
FIS-018	60MM	FIS-118
FIS-019	64MM	FIS-119
FIS-020	68MM	FIS-120
FIS-021	72MM	FIS-121
FIS-022	76MM	FIS-122
FIS-023	80MM	FIS-123
FIS-024	85MM	FIS-124
FIS-025	90MM	FIS-125
FIS-026	95MM	FIS-126
FIS-027	100MM	FIS-127
FIS-028	105MM	FIS-128
FIS-029	110MM	FIS-129
FIS-030	115MM	FIS-130
FIS-031	120MM	FIS-131
FIS-032	125MM	FIS-132



CANNULATED END CAP 12MM Ø FOR FEMORAL NAILS

CAT NO	EXTENSION
FIC-001	0MM
FIC-002	5MM
FIC-003	10MM
FIC-004	15MM
FIC-005	20MM

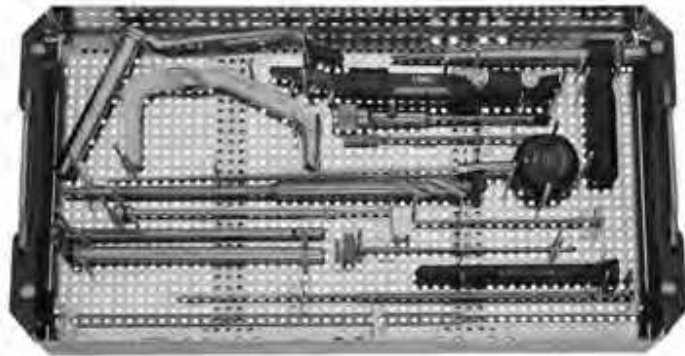


END CAP FOR SPIRAL BLADE

FIC-006



LATERAL FEMORAL NAIL



ADDITIONAL INSTRUMENTATION

FILL-001 AIMING GUIDE FOR LATERAL NAIL



FILL-002 WIRE PASSER



FILL-003 LARGE DISTRACTOR



LENGTH	4.0MMØ	5.0MM Ø
18MM	ILS-001	
20MM	ILS-002	
22MM	ILS-003	
24MM	ILS-004	
26MM	ILS-005	ILS-101
28MM	ILS-006	ILS-102
30MM	ILS-007	ILS-103
32MM	ILS-008	ILS-104
34MM	ILS-009	ILS-105
36MM	ILS-010	ILS-106
38MM	ILS-011	ILS-107
40MM	ILS-012	ILS-108
42MM	ILS-013	ILS-109
44MM	ILS-014	ILS-110
46MM	ILS-015	ILS-111
48MM	ILS-016	ILS-112
50MM	ILS-017	ILS-113
52MM	ILS-018	ILS-114
54MM	ILS-019	ILS-115
56MM	ILS-020	ILS-116
58MM	ILS-021	ILS-117
60MM	ILS-022	ILS-118
62MM	ILS-023	ILS-119
64MM	ILS-024	ILS-120
66MM	ILS-025	ILS-121
68MM	ILS-026	ILS-122
70MM	ILS-027	ILS-123
72MM	ILS-028	ILS-124
74MM	ILS-029	ILS-125
76MM	ILS-030	ILS-126
78MM	ILS-031	ILS-127
80MM	ILS-032	ILS-128
85MM		ILS-129
90MM		ILS-130
95MM		ILS-131
100MM		ILS-132



END CAP FOR LATERAL FEMORAL NAIL 8.2Ø

CAT NO	EXTENSION
ILLC-001	0MM
ILLC-002	5MM
ILLC-003	10MM
ILLC-004	15MM



HIP SCREW 5.0MMØ SELF TAPPING

CAT NO	LENGTH
ILHS-001	55MM
ILHS-002	60MM
ILHS-003	65MM
ILHS-004	70MM
ILHS-005	75MM
ILHS-006	80MM
ILHS-007	85MM
ILHS-008	90MM
ILHS-009	95MM
ILHS-010	100MM
ILHS-011	105MM
ILHS-012	110MM
ILHS-013	115MM
ILHS-014	120MM
ILHS-015	125MM

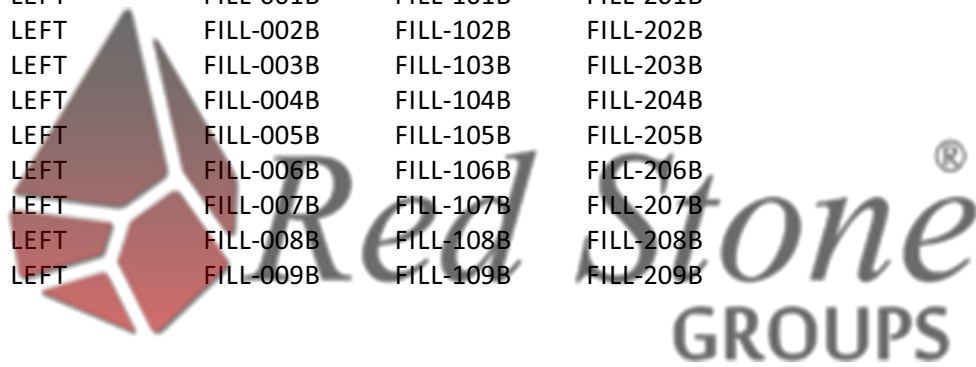


LATERAL FEMORAL NAILS

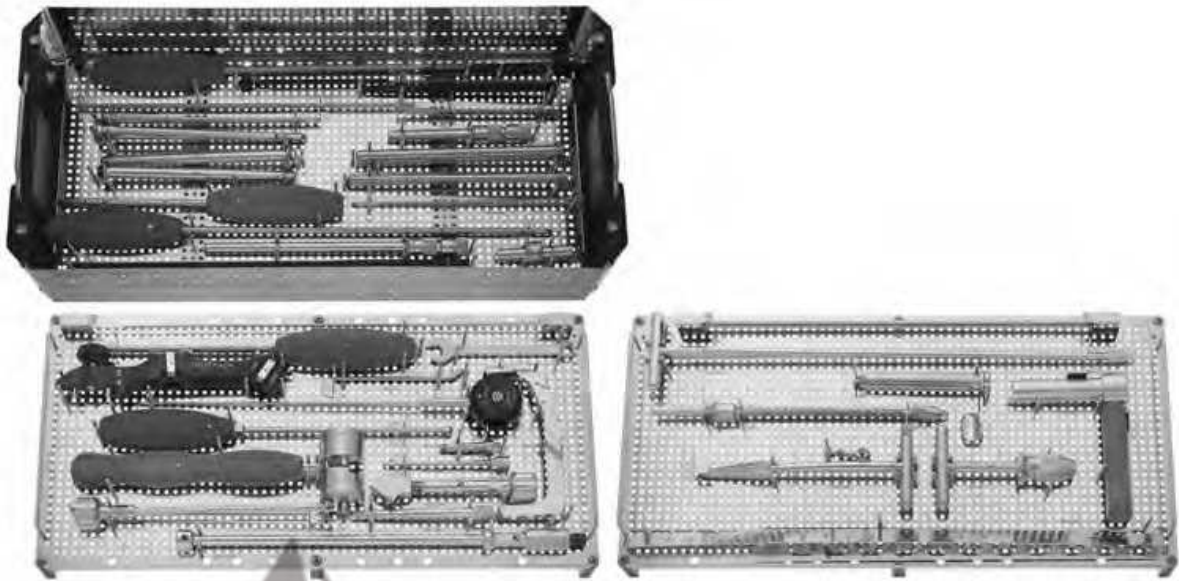
LENGTH	DIRECTION	8.2MMØ	9MMØ	10MMØ
240MM	RIGHT	FILL-001A	FILL-101A	FILL-201A
260MM	RIGHT	FILL-002A	FILL-102A	FILL-202A
280MM	RIGHT	FILL-003A	FILL-103A	FILL-203A
300MM	RIGHT	FILL-004A	FILL-104A	FILL-204A
320MM	RIGHT	FILL-005A	FILL-105A	FILL-205A
340MM	RIGHT	FILL-006A	FILL-106A	FILL-206A
360MM	RIGHT	FILL-007A	FILL-107A	FILL-207A
380MM	RIGHT	FILL-008A	FILL-108A	FILL-208A
400MM	RIGHT	FILL-009A	FILL-109A	FILL-209A



240MM	LEFT	FILL-001B	FILL-101B	FILL-201B
260MM	LEFT	FILL-002B	FILL-102B	FILL-202B
280MM	LEFT	FILL-003B	FILL-103B	FILL-203B
300MM	LEFT	FILL-004B	FILL-104B	FILL-204B
320MM	LEFT	FILL-005B	FILL-105B	FILL-205B
340MM	LEFT	FILL-006B	FILL-106B	FILL-206B
360MM	LEFT	FILL-007B	FILL-107B	FILL-207B
380MM	LEFT	FILL-008B	FILL-108B	FILL-208B
400MM	LEFT	FILL-009B	FILL-109B	FILL-209B



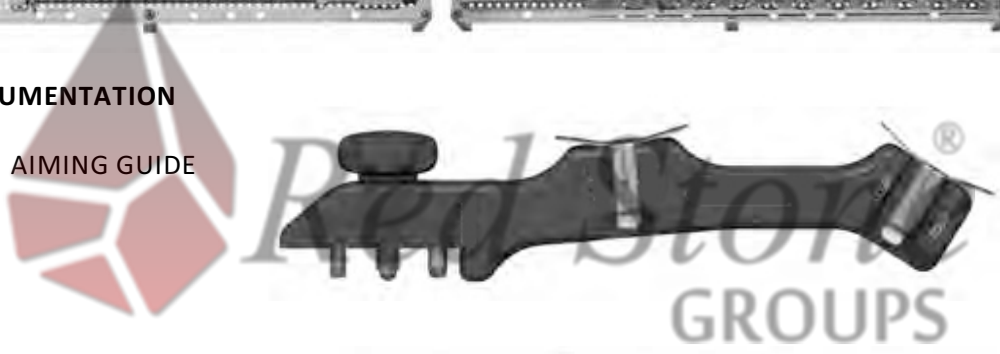
A2 FEMORAL NAIL



SPECIAL INSTRUMENTATION

ILA2-001

AIMING GUIDE



ILA2-002

INSERTION HANDLE



PAKISTAN

ILA2-003 CANNULATED CONNECTING SCREW



ILA2-004 PROTECTION SLEEVE



ILA2-005 MULTI HOLE DRILL SLEEVE



ILA2-006 AWL



ILA2-007 FLEXIBLE CANNULATED DRILL BIT 14.0MMØ



ILA2-008 REDUCTION INSTRUMENT



ILA2-009 HEXAGONAL SHAFT



ILA2-010 HAMMER GUIDE



ILA2-011 DIRECT MEASURING DEVIVE FOR GUIDE WIRES



ILA2-012 FIXATION DEVICE



HIP SCREW 6.5MM SELF TAPPING

A2HS-001	60MM
A2HS-002	65MM
A2HS-003	70MM
A2HS-004	75MM
A2HS-005	80MM
A2HS-006	85MM
A2HS-007	90MM
A2HS-008	95MM
A2HS-009	100MM
A2HS-010	105MM
A2HS-011	110MM
A2HS-012	115MM
A2HS-013	120MM
A2HS-014	125MM
A2HS-015	130MM



LOCKING SCREWS 5.0MM DIAMETER

A2S-001	26MM A2S-
002	28MM
A2S-003	30MM
A2S-004	32MM
A2S-005	34MM
A2S-006	36MM A2S-
007	38MM
A2S-008	40MM
A2S-009	42MM
A2S-010	44MM
A2S-011	46MM
A2S-012	48MM
A2S-013	50MM
A2S-014	52MM
A2S-015	54MM
A2S-016	56MM
A2S-017	58MM
A2S-018	60MM
A2S-019	64MM
A2S-020	68MM

Red Stone GROUPS



A2S-021	72MM
A2S-022	76MM
A2S-023	80MM
A2S-024	85MM
A2S-025	90MM
A2S-026	95MM
A2S-027	100MM
A2S-028	105MM
A2S-029	110MM
A2S-030	115MM
A2S-031	120MM
A2S-032	125MM

END CAP CANNULATED

- A2C-0010 EXTENSION
- A2C-0025 EXTENSION
- A2C-003 10 EXTENSION
- A2C-004 15 EXTENSION
- A2C-005 20 EXTENSION



A2 LOCKING NAIL RIGHT



LENGTH 9MMØ 10MMØ 11MMØ 12MMØ 13MMØ 14MMØ

280MM	FIL2-007	FIL2-107	-4072-207	FIL2-5072-307	FIL2
300MM	FIL2-008	FIL2-108	-4082-208	FIL2-5082-308	FIL2
320MM	FIL2-009	FIL2-109	-4092-209	FIL2-5092-309	FIL2
340MM	FIL2-010	FIL2-110	-4102-210	FIL2-5102-310	FIL2
360MM	FIL2-011	FIL2-111	-4112-211	FIL2-5112-311	FIL2
380MM	FIL2-012	FIL2-112	-4122-212	FIL2-5122-312	FIL2
400MM	FIL2-013	FIL2-113	-4132-213	FIL2-5132-313	FIL2
420MM	FIL2-014	FIL2-114	-4142-214	FIL2-5142-314	FIL2
440MM	FIL2-015	FIL2-115	-4152-215	FIL2-5152-315	FIL2
440MM	FIL2-016	FIL2-116	-4162-216	FIL2-5162-316	FIL2
460MM	FIL2-017	FIL2-117	-4172-217	FIL2-5172-317	FIL2

A2 LOCKING NAIL LEFT



LENGTH 9MMØ 10MMØ 11MMØ 12MMØ 13MMØ 14MMØ

280MM	FIL3-007	FIL3-107	-4073-207	FIL3-5073-307	FIL3
300MM	FIL3-008	FIL3-108	-4083-208	FIL3-5083-308	FIL3
320MM	FIL3-009	FIL3-109	-4093-209	FIL3-5093-309	FIL3
340MM	FIL3-010	FIL3-110	-4103-210	FIL3-5103-310	FIL3
360MM	FIL3-011	FIL3-111	-4113-211	FIL3-5113-311	FIL3
380MM	FIL3-012	FIL3-112	-4123-212	FIL3-5123-312	FIL3
400MM	FIL3-013	FIL3-113	-4133-213	FIL3-5133-313	FIL3
420MM	FIL3-014	FIL3-114	-4143-214	FIL3-5143-314	FIL3
440MM	FIL3-015	FIL3-115	-4153-215	FIL3-5153-315	FIL3
440MM	FIL3-016	FIL3-116	-4163-216	FIL3-5163-316	FIL3
460MM	FIL3-017	FIL3-117	-4173-217	FIL3-5173-317	FIL3