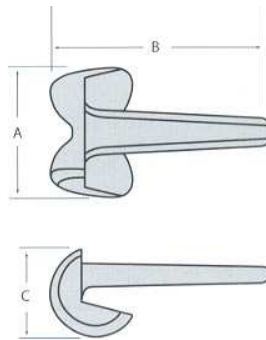


## SMALL BONES SOLUTIONS

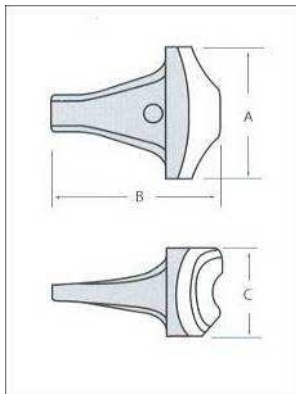
### PROXIMAL INTER PHALANGEAL IMPLANT SYSTEM

#### PROXIMAL PHALANX COMPONENT SBF-001

SIZE	A	B	C
0	7.5	12.6	5.0
1	8.6	14.6	5.8
2	10.0	16.8	6.6
3	11.5	19.3	7.6
4	13.2	22.2	8.8



**Red Stone**® GROUPS



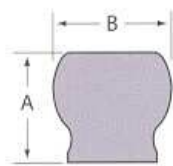
#### MIDDLE PHALANX COMPONENT SBF-002

SIZE	A	B	C
0	7.8	9.9	5.3
1	8.9	11.3	6.1
2	10.3	13.1	7.0
3	11.8	15.0	8.0
4	13.6	17.2	9.2

ULNAR HEAD INPLANT SYSTEM SBF-003

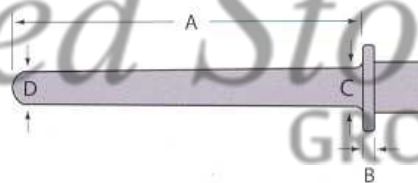
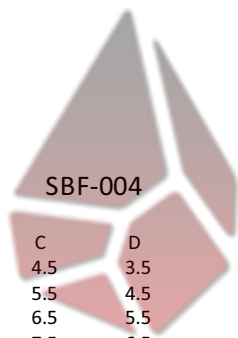
ULNAR HEAD

SIZE	A	B
1	12.0	13.0
2	13.5	14.5
3	15.0	16.0
4	16.5	17.5



STANDARD STEM

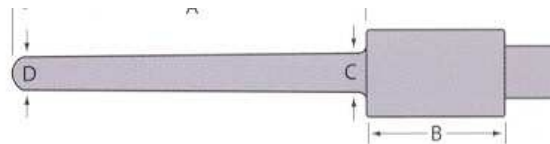
SIZE	A	B	C	D
1	50	2	4.5	3.5
2	50	2	5.5	4.5
3	50	2	6.5	5.5
4	50	2	7.5	6.5



EXTENDED COLLER SYSTEM

SBF-005

SIZE	A	B	C	D
1	50	20	4.5	3.5
2	50	20	5.5	4.5
3	50	20	6.5	5.5
4	50	20	7.5	6.5



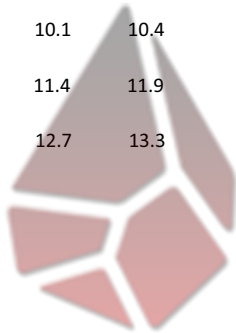
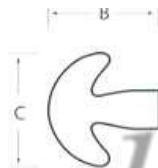
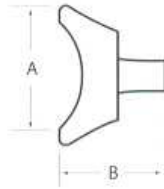
TRAPEZIO-METACARPAL JOINT SBF-006



TRAPEZIAL COMPONENT (Proximal Component)

SBF-007

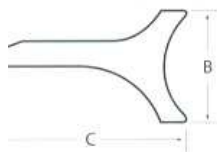
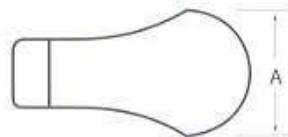
SIZE	A	B	C
SMALL	12.0	9.1	9.5
MEDIUM	13.2	10.1	10.4
LARGE	15.0	11.4	11.9
EX.LARGE	16.8	12.7	13.3



**Red Stone**®  
GROUPS

METACARPAL COMPONENT (Distal Component) SBF-008

SIZE	A	B	C
SMALL	9.1	12.7	18.1
LARGE	11.7	14.2	21.8
EX.LARGE	12.7	14.7	24.6



TOTAL WRIST IMPLANT SYSTEM



RIGHT HAND

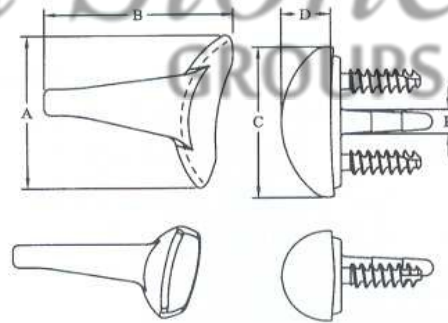
WRIST RADIAL COMPONENT

RIGHT HAND SIZE A B SBF-009

SMALL	29.2	36.0
MEDIUM	31.4	38.9
LARGE	34.1	42.3

LEFT HAND SMALL 29.2 36.0 SBF-010

MEDIUM	31.4	38.9
LARGE	34.1	42.3



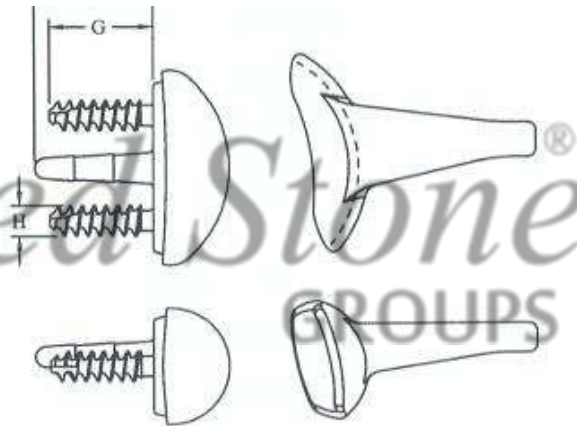
WRIST CARPAL PLATE COMPONENT SBF-011

SIZE	E	F
SMALL	4.6	17.3
MEDIUM 5.0		18.7
LARGE 5.5		20.4

LEFT HAND

WRIST CARPAL BALL COMPONENT      SBF-012

	SIZE	C	D
NEUTRAL	SMALL	28.9	9.3
	MEDIUM	31.2	10.1
	LARGE	33.9	11.1
PLUS	SMALL	28.9	10.3
	MEDIUM	31.2	11.1
	LARGE	33.9	12.1



WRIST CARPAL SCREW COMPONENT      SBF-013

SIZE	G	H
15MM	15	4.5
18MM	18	4.5
22MM	22	4.5
26MM	26	4.5
30MM	30	4.5